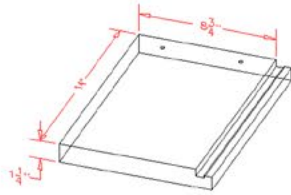
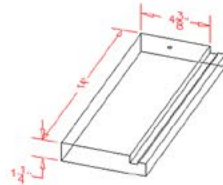


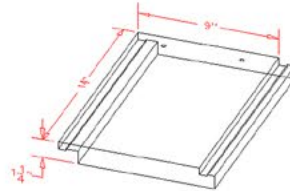
STANDARD DIE-CUTS: 10-1A - 10-1i, 11-1A



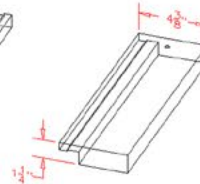
LEFT GABLE
FULL TILE



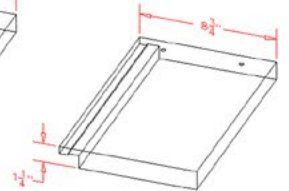
LEFT GABLE
HALF TILE



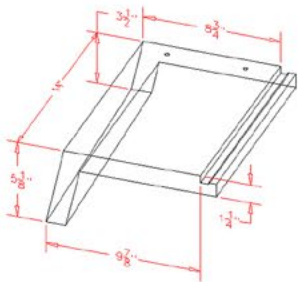
FIELD TILE



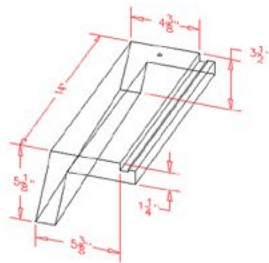
RIGHT GABLE
HALF TILE



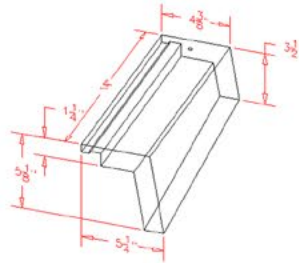
RIGHT GABLE
FULL TILE



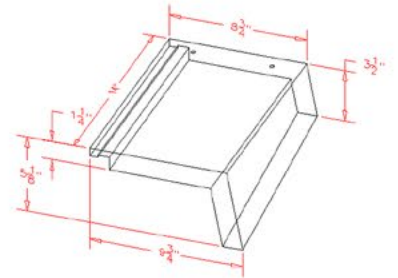
LEFT GABLE RAKE
FULL TILE



LEFT GABLE RAKE
HALF TILE



RIGHT GABLE RAKE
HALF TILE

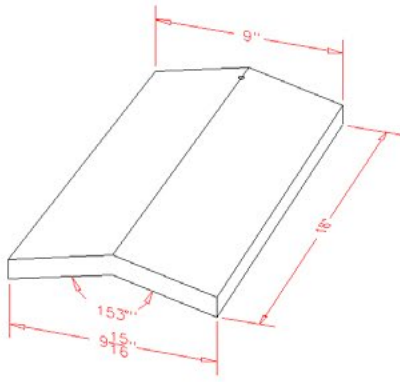


RIGHT GABLE RAKE
FULL TILE

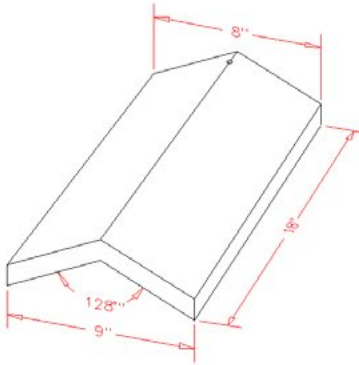
LINCOLN INTERLOCKING TILE

(FILE NAME: 10-1.DWG)

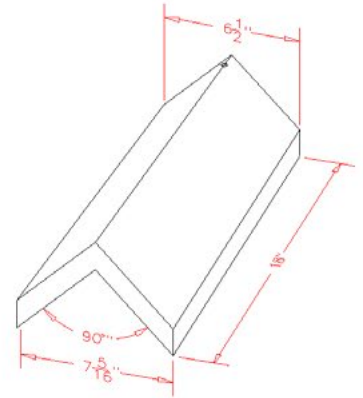
STANDARD DIE-CUTS: 10-3A - 10-3D



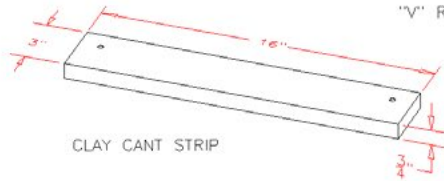
"V" RIDGE TILE 153°



"V" RIDGE TILE 128°



"V" RIDGE TILE 90°

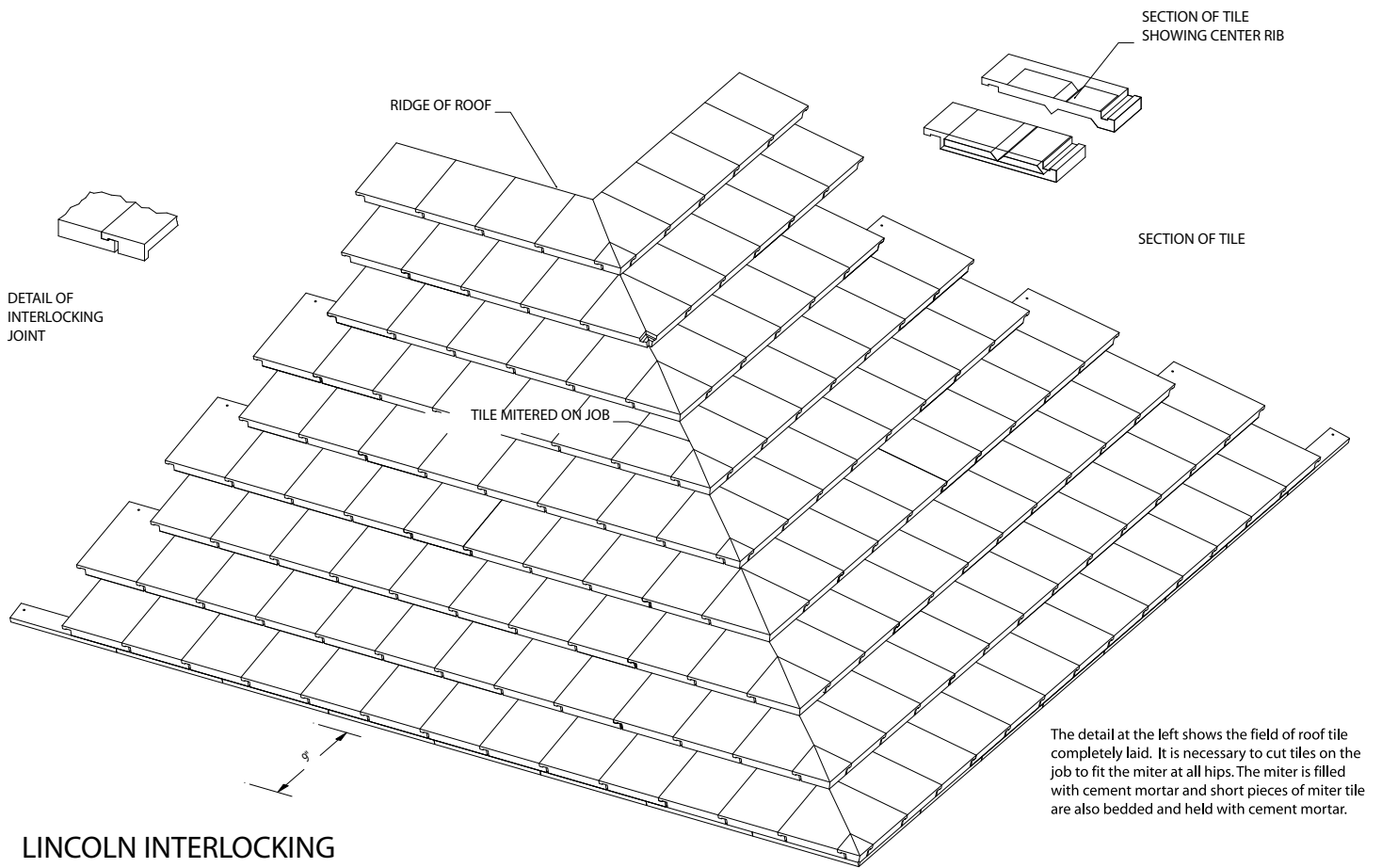


CLAY CANT STRIP

LINCOLN INTERLOCKING AND PLACER INTERLOCKING TILE

(FILE NAME: 10-3.DWG)

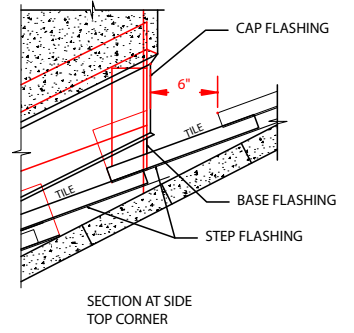
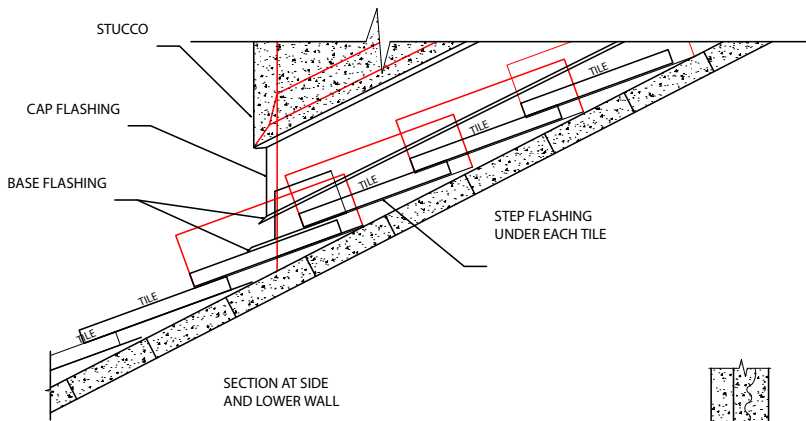
STANDARD DIE-CUTS: 11-2



The detail at the left shows the field of roof tile completely laid. It is necessary to cut tiles on the job to fit the miter at all hips. The miter is filled with cement mortar and short pieces of miter tile are also bedded and held with cement mortar.

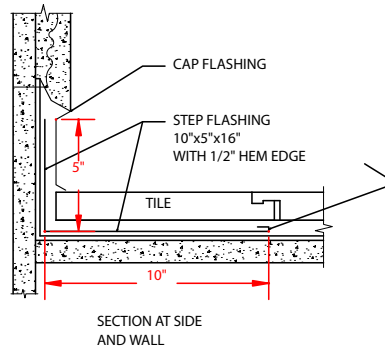
**LINCOLN INTERLOCKING
ROOF TILE COMPLETELY LAID**
(FILE NAME: 11-2.DWG)

STANDARD DIE-CUTS: 12-2A



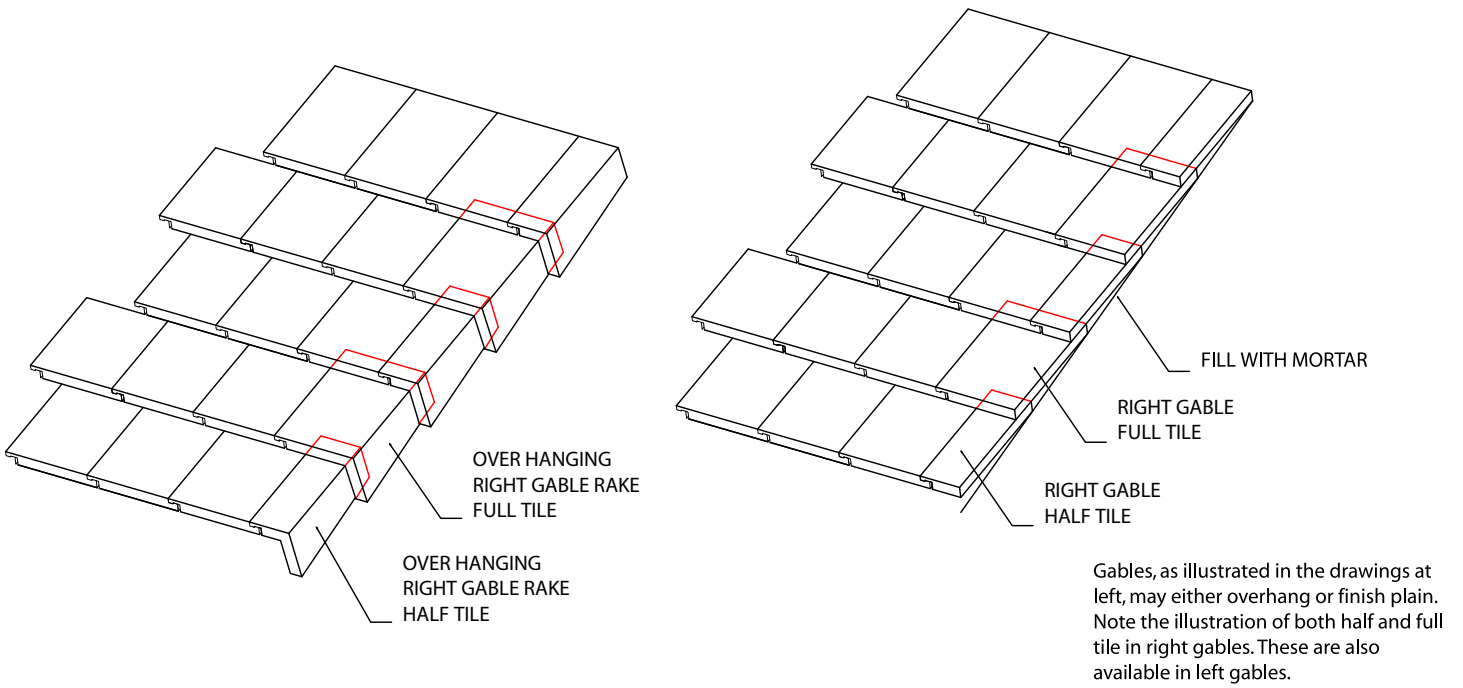
LINCOLN INTERLOCKING AND PLACER INTERLOCKING TILE CHIMNEY FLASHING DETAIL

(FILE NAME: 12-2.DWG)



Base flashings, step flashings, and cap flashings around chimney walls should follow procedures illustrated in these drawings.

STANDARD DIE-CUTS: 12-3A & 12-3B



LINCOLN INTERLOCKING GABLE DETAIL

(FILE NAME: 12-3.DWG)