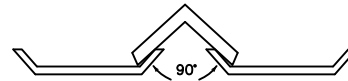
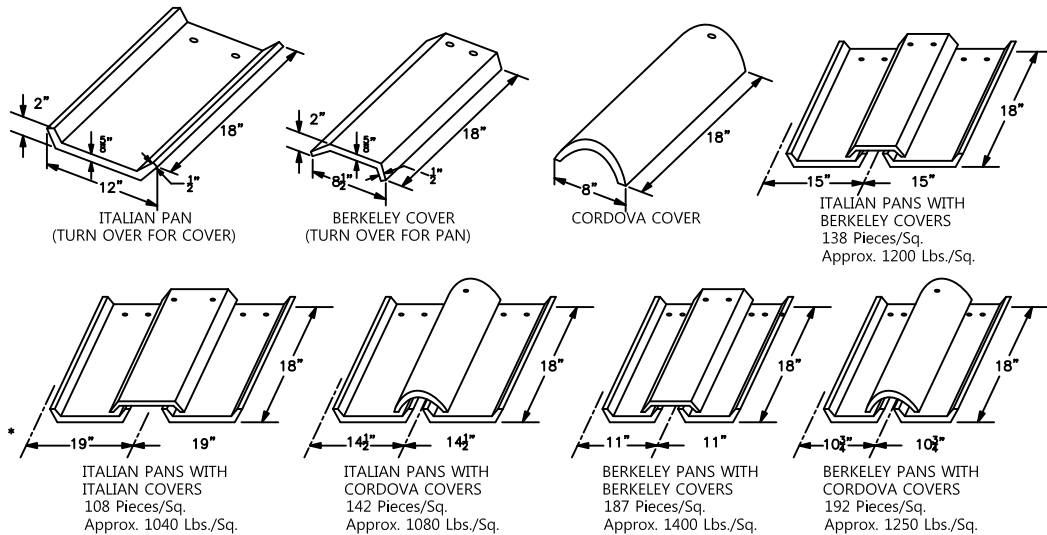


ITALIAN CLAY ROOF TILE



ITALIAN PANS WITH 90° V - RIDGE 148 Pieces/Sq. Approx. 1600 lbs.

SPECIFICATIONS

A. MATERIALS

- Roofing tile shall be Gladding, McBean Italian or Berkeley Pans with Cordova, Italian, or Berkeley Covers laid with an exposure of 14". Meeting requirements of ASTM C-1167.
- Under eave shall be (specify one):
 - Clay tile cant strip 3" x 16" x 3/4".
 - 1" x 2" wood cant strip.
 - or none (delete paragraph).
- Eave starter cover tile shall be 14" long with 10" exposure.
- Hip and ridge tile to be same as field tile.
- Cement Mortar: The mortar used under the hip, ridge and gable tile shall to Type M by proportions per U.B.C. Table 24A. This mix is basically (by volume) 1 part Type I cement (or masonry cement) to 3 parts damp plaster sand.

B. COLOR shall be (specify one):

- Franciscan Blend
- Kiln-run No. 8 Mix.
- Blended Red.
- Monterey Blend.
- Spanish Bay Blend.

C. UNDERLAY—The underlayments described are very conventional and in accordance with many building code requirements including I.C.B.O. Uniform Building Code and the City of Los Angeles Building Code. Sweep roof surface broom clean. Cover knot holes with tin. Specify desired weight of underlay as follows:

For Pitches of less than 4/12:

- Lay two layers of 30# felt at right angles to roof surface, nail to secure in place as code requires. Mop solidly 25# per square between layers and on top of layers with hot asphalt.

For Pitches of 4/12 and greater:

- Lay one layer of 30# or 40# felt. Lay with 4" head lap and a 6" side lap. Nail to secure in place as code requires.

D. TILE FASTENERS—Tile shall be fastened by (specify one of the following):

- Nails—Noncorrosive. Sufficient length shall give 3/4" penetration. (Consult manufacturer of special roof deck materials for additional nailing specifications.)

- Fasteners—To be installed per project specifications using applicable 300 series Stainless Steel or Galvanized Tyle Tie Systems, as manufactured by Newport Fasteners, per I.C.B.O. 3362 and provided by Gladding, McBean. Consult factory regarding applicable deck attachment and accessories.

E. METHOD OF APPLICATION:

- Lay clay roofing tile by spacing pan rows *on centers. Cover tile and pan tile shall not exceed 14" exposure. (* Insert spacing from one of the above details.)
- Nailing Strips: 2" stringer of necessary height for hip and/or ridge (height varies with roof pitch).
- All hip and ridge tile shall be set in cement mortar and fastened with noncorrosive nails. Refer to "Clay Roof Tile Specifications and Suggested Installation Details" showing desired construction of hips and ridges.
- All tile in contact with cement mortar shall be immersed in water for at least 2 minutes before laying to avoid drying out the mortar before setting and curing.

Shade Blending: After 75 to 100 tiles are installed, examine the application at a distance from ground level for straight, true lines and good color blend. This should be done at regular intervals during installation to insure an attractive and acceptable roof. Blending of shade is particularly important to avoid streaks or "hot spots". Acceptable blending cannot be done at the factory or on the ground; it can only be done as the tile is applied.

G109b 2,500 CP 08/14/06



GLADDING, McBEAN
a division of PABCO
Building Products, LLC

601 7th Street/ P.O.Box 97, Lincoln, CA 95648
(800) 964-2529 Ext.204 (916) 645-3341 Ext.204
Fax (916) 645-1723
www.gladdingmcbbean.com