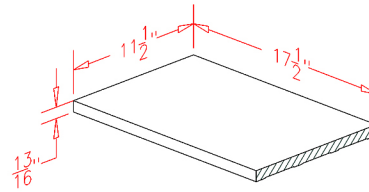
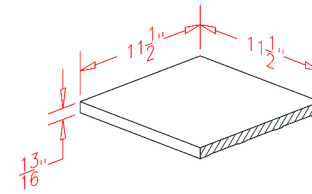


12"x12" Bull Nose Piazza Tile



12"x18" Standard Piazza Tile

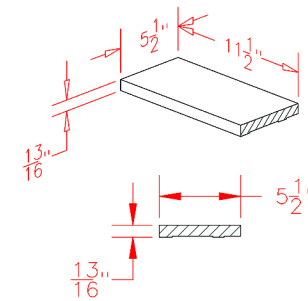


12"x12" Standard Piazza Tile

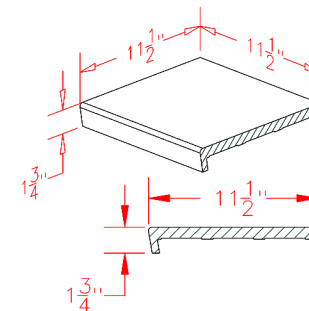
Gladding, McBean Piazza Tile Pavers are produced at the Gladding, McBean factory in Lincoln, California. In continuous production for over 125 years, the Lincoln plant is world famous for its high quality clays and unique firing methods. These conditions are combined to produce dense, durable, and frost-proof, paver tiles with unique beauty and character. Designed to be used with a .5" mortar joint, the various shapes can be combined to create several interesting patterns.

Specification: Blended Red, Franciscan Blend, Kiln-run No. 8 Mix, Monterey Blend, Presidio Blend.

Coefficient of Friction	C-1028	.89 Dry .84 Wet
Bond Strength	C-482	.82 psi
Compressive Strength	C-902	10,273
Breaking Strength	C-648	1514 lbs.



6"x12" Standard Piazza Tile



12"x12" Stair Thread Piazza Tile

PIAZZA FLOOR TILE

(FILE NAME: Piazza Floor Tile.DWG)