

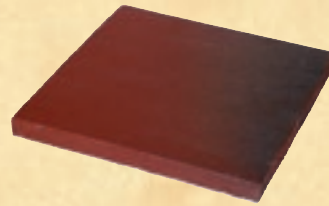
Gladding, McBean

PIAZZA FLOOR TILE

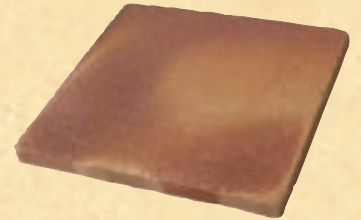
Blended Red



Now available in two textures,
Smooth and Tumbled.

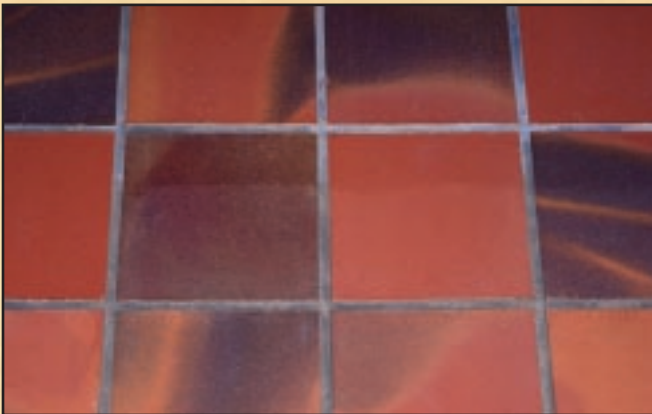


Smooth

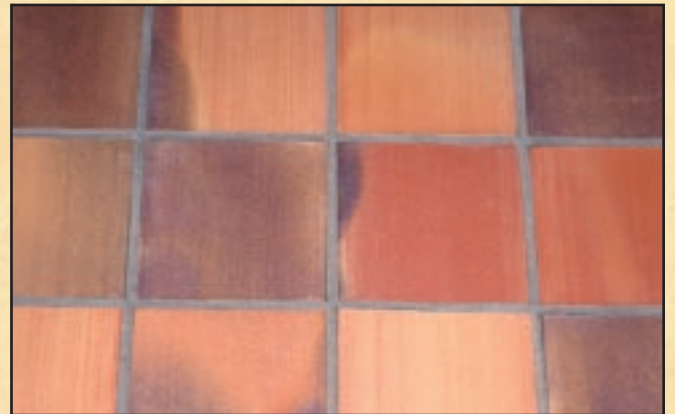


Antico

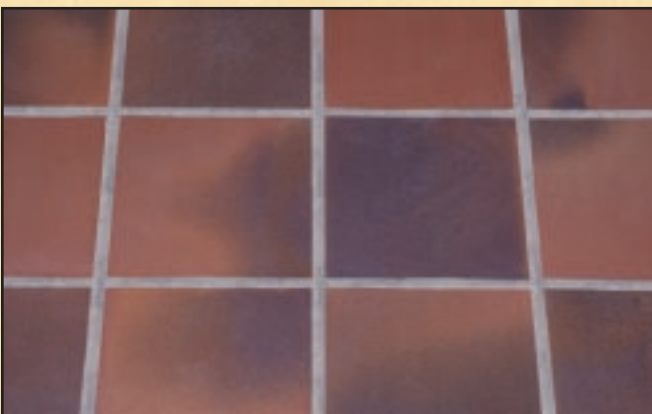
Kiln-Run #8 Mix



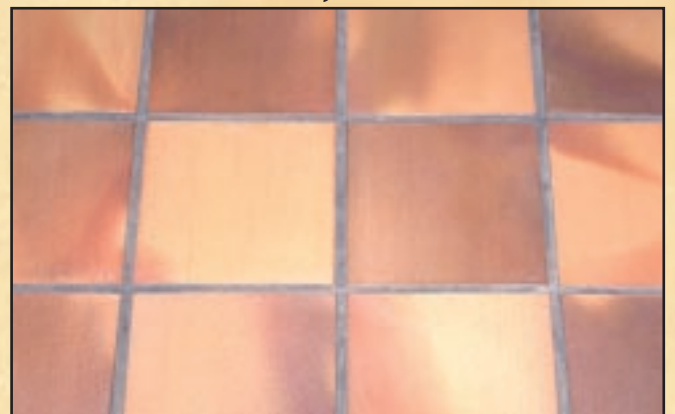
Franciscan Blend



Presidio Blend

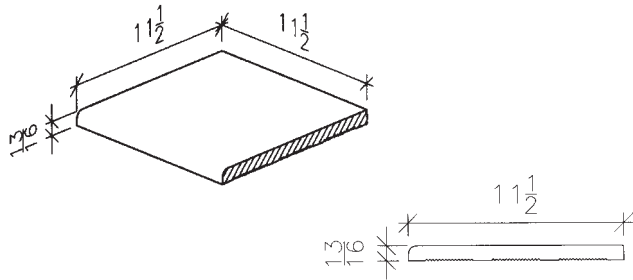


Monterey Blend

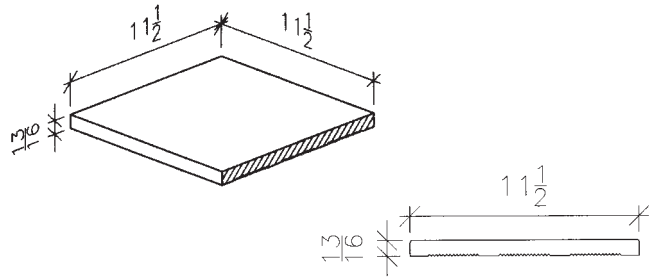


PIAZZA FLOOR TILE

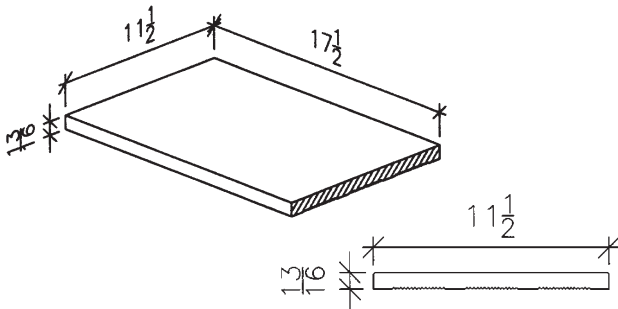
12"x12" Bull Nose Piazza Tile



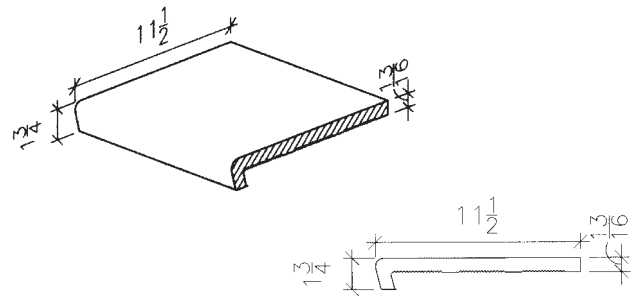
12"x12" Standard Piazza Tile



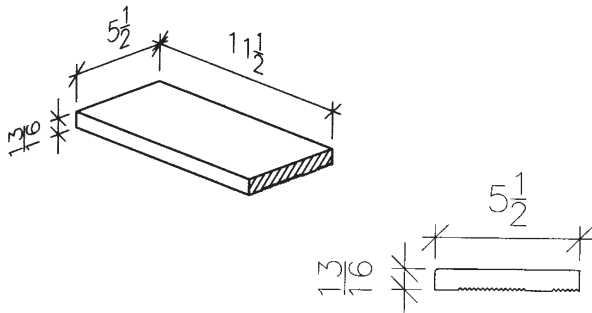
12"x18" Standard Piazza Tile



12"x12" Stair Thread Piazza Tile



6"x12" Standard Piazza Tile



Gladding McBean Piazza Tile Pavers are produced at the Gladding McBean factory in Lincoln, California. In continuous production for over 125 years, the Lincoln plant is world famous for its high quality clays and unique firing methods. These conditions are combined to produce dense, durable, and frost-proof, paver tiles with unique beauty and character. Designed to be used with a .5" mortar joint, the various shapes can be combined to create several interesting patterns.

Specifications: Blended Red, Franciscan Blend, Kiln-run No. 8 Mix, Monterey Blend, Presidio Blend.

Coefficient of Friction	C-1028	.89 Dry .84 Wet
Bond Strength	C-482	82 psi
Compressive Strength	C-902	10,273
Breaking Strength	C-648	1514 lbs

G113b 2,500 CP 08/14/06