

# Gladding, McBean

## CORDOVA CLAY ROOF TILE

*Franciscan Blend*



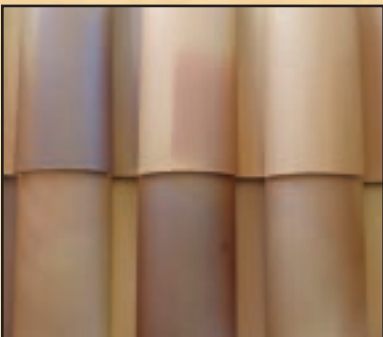
*Kiln-Run #8 Mix*



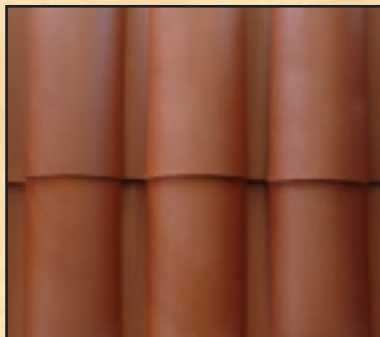
*Spanish Bay Blend*



*Monterey Blend*



*Blended Red*



*Vintage Texture*

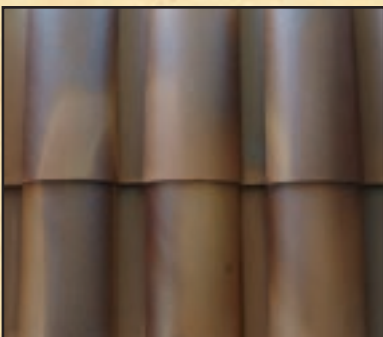
The entire line of Cordova Roof tiles are now available in our new Vintage textured finish. Shown here in Franciscan Blend.



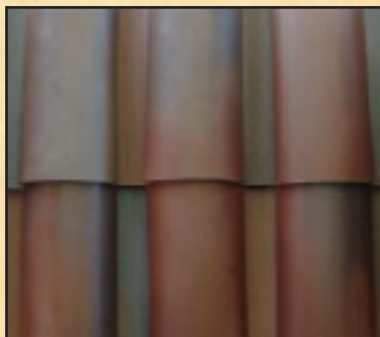
## EARLY CALIFORNIA SERIES

The Early California Series was created for the designer looking for the rich Terra Cotta colors used in the early nineteen hundreds. The initial collection features three, fire flashed, brown blends, each with a unique visual quality of its own. The tiles are available in either smooth, or our new Vintage textured finish (as shown in the Presidio Blend below). These blends will compliment many architectural styles including, those unique to California.

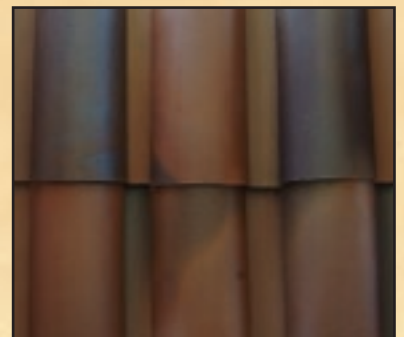
*Bautista Blend*



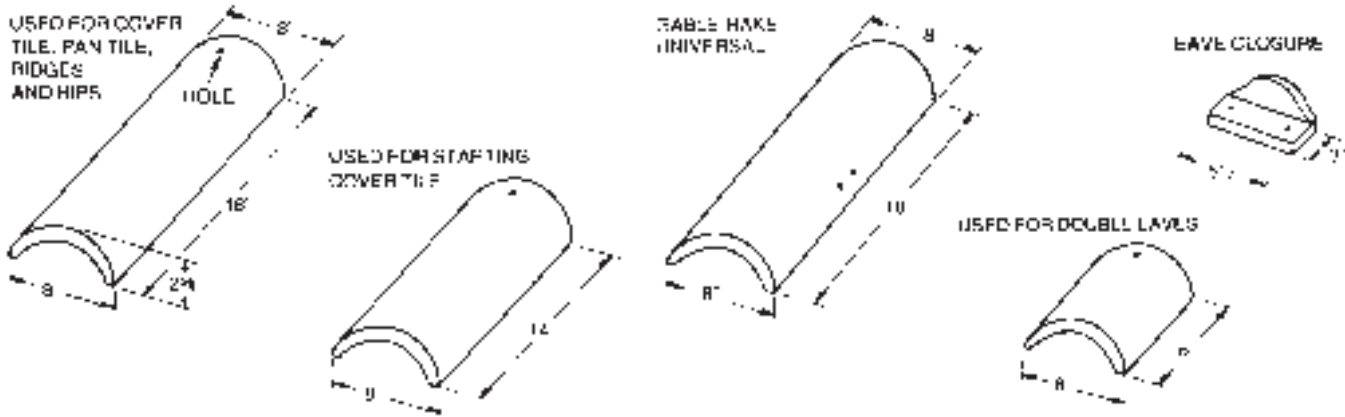
*Cabrillo Blend*



*Presidio Blend*



# CORDOVA CLAY ROOF TILE



## SPECIFICATIONS

Cordova roof tile is machine made. Each tile has a small hole close to one end which is used for fixing the tile to the roof. The same tile is used either as a pan or a cover tile merely by reversing its position. The same tile is also used for ridges and hips. The starting cover tile is 14" long and is used only at the bottom course on first row of cover tile. Double eaves tile is 6" long and is used on nearly all residential construction because of the enhanced appearance along the roof edge. A gable rake tile is used wherever a roll gable is required; two holes provide for nailing to the gable. Tiles are made left and right hand. Eave closure tiles may be used to fill the opening between pan tiles and eaves.

### A. MATERIALS

- There are 190 pieces of field tile per square weighing approximately 1060 pounds. \*Can also be applied at 166 pieces per square.
- Roofing tile shall be Gladding, McBean Cordova Straight Barrel Mission Clay Tile 18" long, to 8" wide. Tile shall be laid with an exposure of 14". Meeting requirements of ASTM C-1167.
- Under eave shall be (specify one):
  - Clay tile cant strip 3" x 16" x 3/4".
  - 1" x 2" wood cant strip.
  - or none (delete paragraph).
- Double eave—A 6" long booster tile shall be used under each cover (14") starter tile along eaves.
- Hip and ridge tile to be same as field tile.
- Cement Mortar: The mortar used under the hip, ridge and gable tile shall be Type M by proportions per U.B.C. Table 21A. This mix is basically (by volume) 1 part Type I cement (or masonry cement) to 3 parts damp plaster sand.

### B. COLOR shall be (specify one):

- Kiln-run No. 8 Mix.
- Blended Red.
- Monterey Blend.
- Franciscan Blend.
- Spanish Bay Blend.

### C. UNDERLAY

**The underlayments described are very conventional and in accordance with many building code requirements including I.C.B.O. Uniform Building Code and the City of Los Angeles Building Code. Sweep roof surface broom clean. Cover knot holes with tin. Specify desired weight of underlay as follows:**

#### For Pitches of less than 4/12:

- Lay two layers of 30# felt at right angles to roof surface, nail to secure in place as code requires. Mop solidly 25# per square between layers and on top of layers with hot asphalt.

#### For Pitches of 4/12 and greater:

- Lay one layer of 30# or 40# felt. Lay with 4" head lap and a 6" side lap. Nail to secure in place as code requires.

### D. TILE FASTENERS—Tile shall be fastened by:

(specify one of the following)

- Nails—Noncorrosive. Sufficient length shall give 3/4" penetration. (Consult manufacturer of special roof deck materials for additional nailing specifications.)
- Fasteners—To be installed per project specifications using applicable 300 series Stainless Steel or Galvanized Tyle Tye Systems, as manufactured by Newport Fasteners, per I.C.B.O. 3362 and provided by Gladding, McBean. Consult factory regarding applicable deck attachment and accessories.

### E. METHOD OF APPLICATION:

- Lay clay roofing tile by spacing pan rows 10 3/4" on centers. Cover tile and pan tile shall not exceed 14" exposure.
- Nailing Strips:
  - 2" stringer of necessary height for hip and/or ridge (height varies with roof pitch).
  - 2" x 3" nailing strip required under first row of cover tile after gable roll with adjacent 2" x 2" nailing strip along rake side.
- All hip, ridge, gable and first row of cover tile after gable roll shall be set in cement mortar and fastened with noncorrosive nails. Refer to "Clay Roof Tile Specifications and Suggested Installation Details" showing desired construction of hips, ridges and gable rakes.
- All tile in contact with cement mortar shall be immersed in water for at least 2 minutes before laying to avoid drying out the mortar before setting and curing.

Shade Blending: After 75 to 100 tiles are installed, examine the application at a distance from ground level for straight, true lines and good color blend. This should be done at regular intervals during installation to insure an attractive and acceptable roof. Blending of shade is particularly important to avoid streaks or "hot spots." Acceptable blending cannot be done at the factory or on the ground; it can only be done as the tile is applied.

\* 166 piece system pans are set with 11 1/2" centers and head lap is 3".

G108b 2,500 CP 08/14/06